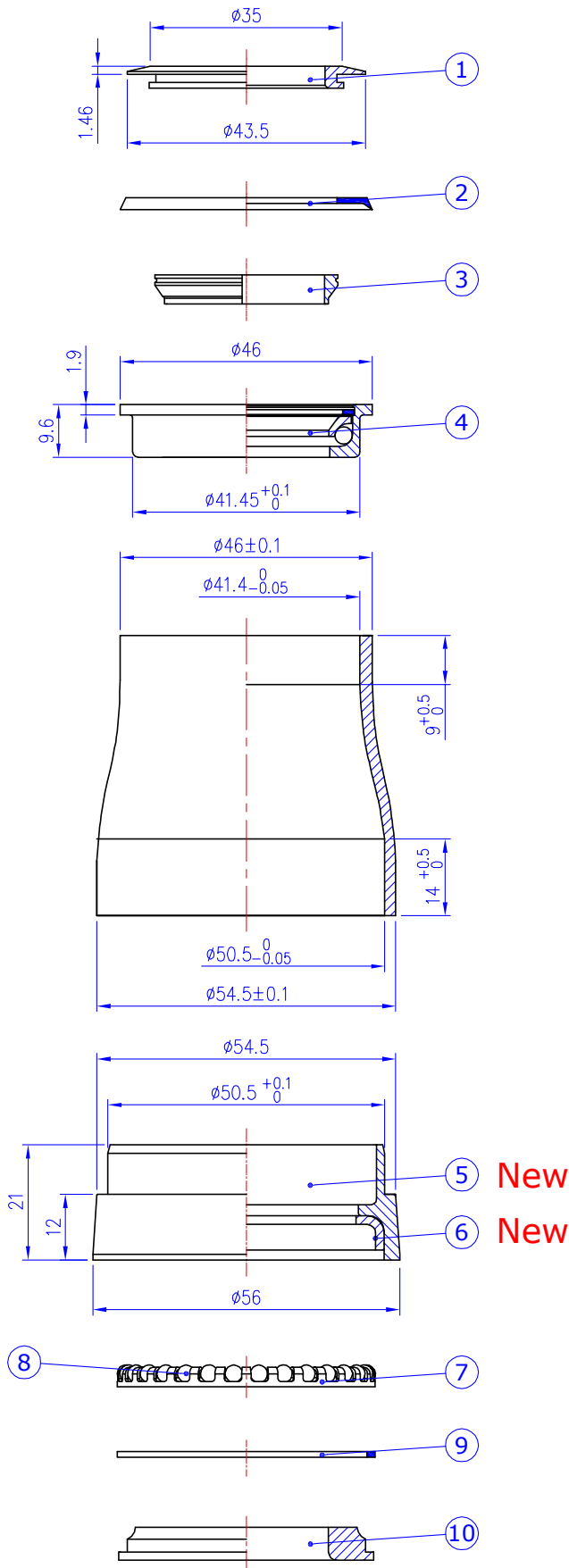


Internal Headset

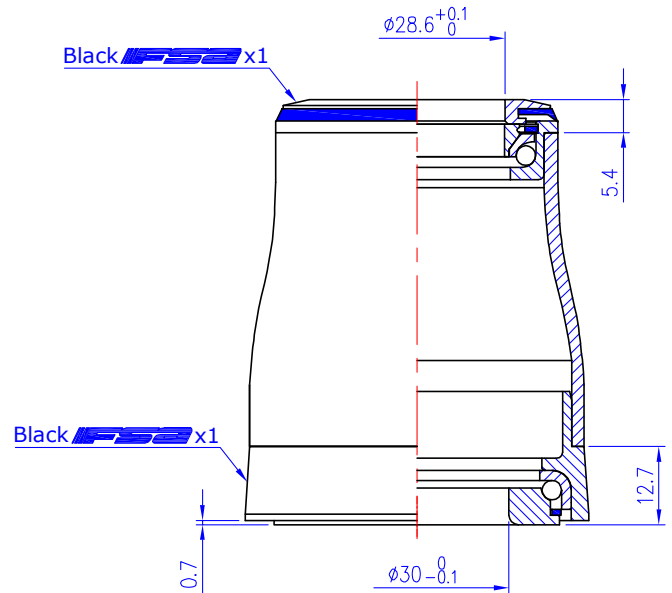
NO.11AGY/Orbit E 1.5-1-S

1-1/8" Semi-cartridge bearing type-Upper
Retainer bearings-Lower



5 New

6 New



Stack Height 5.4+12.7=18.1

No	Item No	Material	Qty
⑩	H6130{Orbit E 1.5-6}	Steel	1PCS
⑨	MS001	Rubber	1PCS
⑧	MR048{Φ1/8"}	Chrome steel	1PCS
⑦	MR101{Φ1/8"x30}	Steel	1SET
⑥	H7063 - New	Steel	1SET
⑤	H5107 - New	Alloy	1PCS
④	MR085{NO.11AGY}	Chrome steel	1SET
③	H2145{NO.11AGY-2}	Alloy	1PCS
②	MS072	Rubber	1PCS
①	H2095A{NO.11G-2}	Alloy	1PCS

- 1-1/8" steerer fork
- For tapered 46mm / 54.5mm OD head tube
- Alloy top cover
- Upper : Chromoly cups with integrated semi-cartridge bearing
- Lower : Φ1/8"x30 retainer bearings

