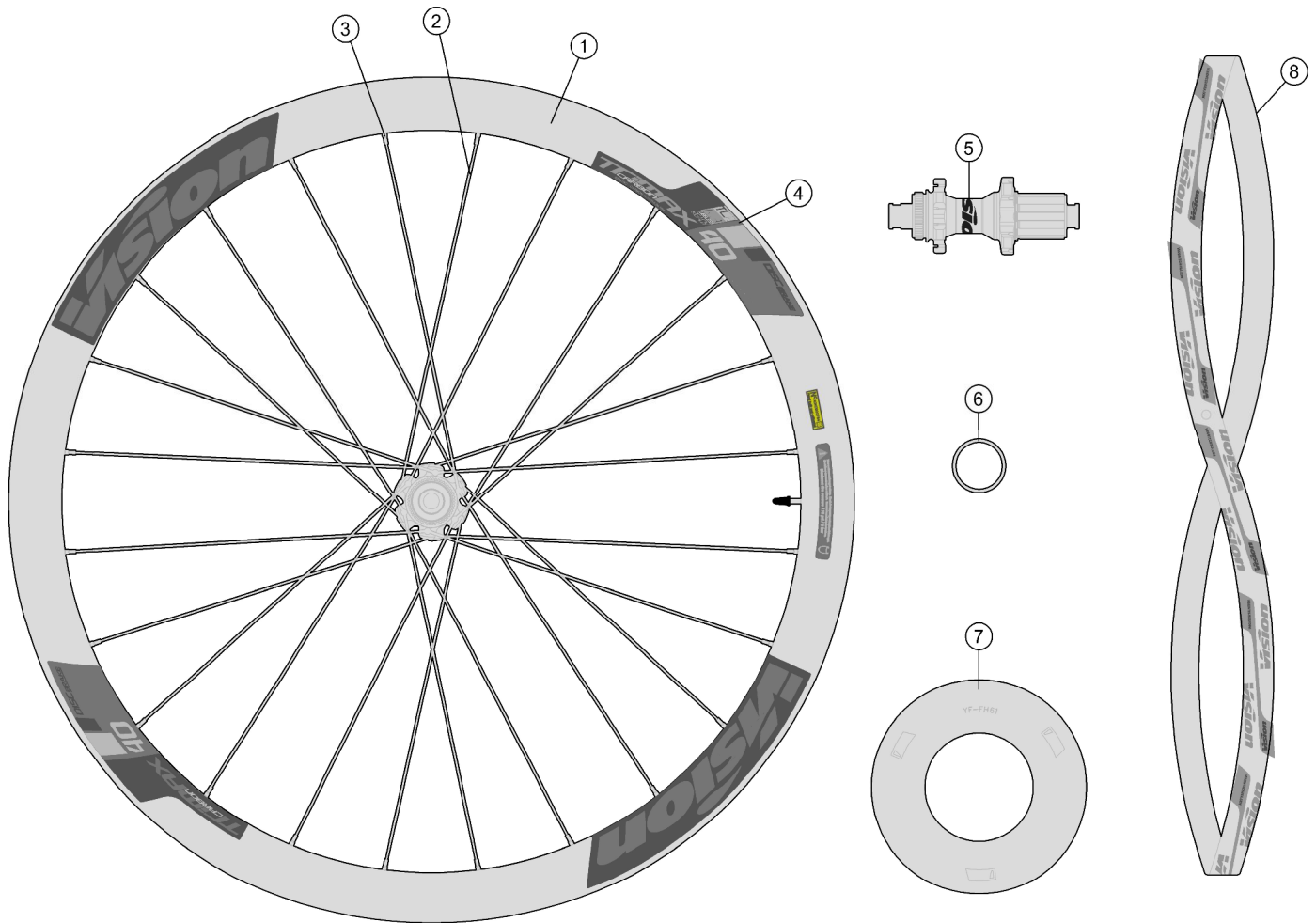


Item No.	FSA Code No.	Description	Notes
1	72500107000031	RM170A Front Rim Clincher - 24H	Rim Sticker Kit not included
2	748-0027005520	SK056P Spoke Kit 274mm x5 pcs	Non-drive side
	748-0027012520	SK056Q Spoke Kit 276mm x5 pcs	drive side
3	752-A6052	ML240 Black Nipple Kit x5 pcs	
4	752-0476000001	ZJWH0558 Rim Sticker Kit VISION + TriMax carbon 40 Disc	
5	752-0453020011	U1111 Front Hub Assembly, Vision Logo	Centerlock rotor mount, TA12 configuration
6	752-0061000471	MS289 Vision Rim Tape for Clincher Rim- Red	Vision Logo 700C W21 xT0.5mm



Item No.	FSA Code No.	Description	Notes
1	725-0107002030	RM170B Rear Rim Clincher - 24H	Rim Sticker Kit not included
2	748-0027005520	SK056P Spoke Kit 274mm x5 pcs	drive side
	748-0027012520	SK056Q Spoke Kit 276mm x5 pcs	Non-drive side
3	752-A6052	ML240 Black Nipple Kit x5 pcs	
4	752-0476000001	ZJWH0558 Rim Sticker Kit VISION + TriMax carbon 40 Disc	
5	752-0454002011	U2111 Rear Hub Assembly	Centerlock rotor mount, X12 configuration
6	752-0072000010	MW322 10 Speed Cassette Spacer	Shimano N10/11
7	752-0130000000	W1020 Vision Wheelset Spoke Protector	
8	752-0061000471	MS289 Vision Rim Tape for Clincher Rim- Red	Vision Logo 700C W21 xT0.5mm